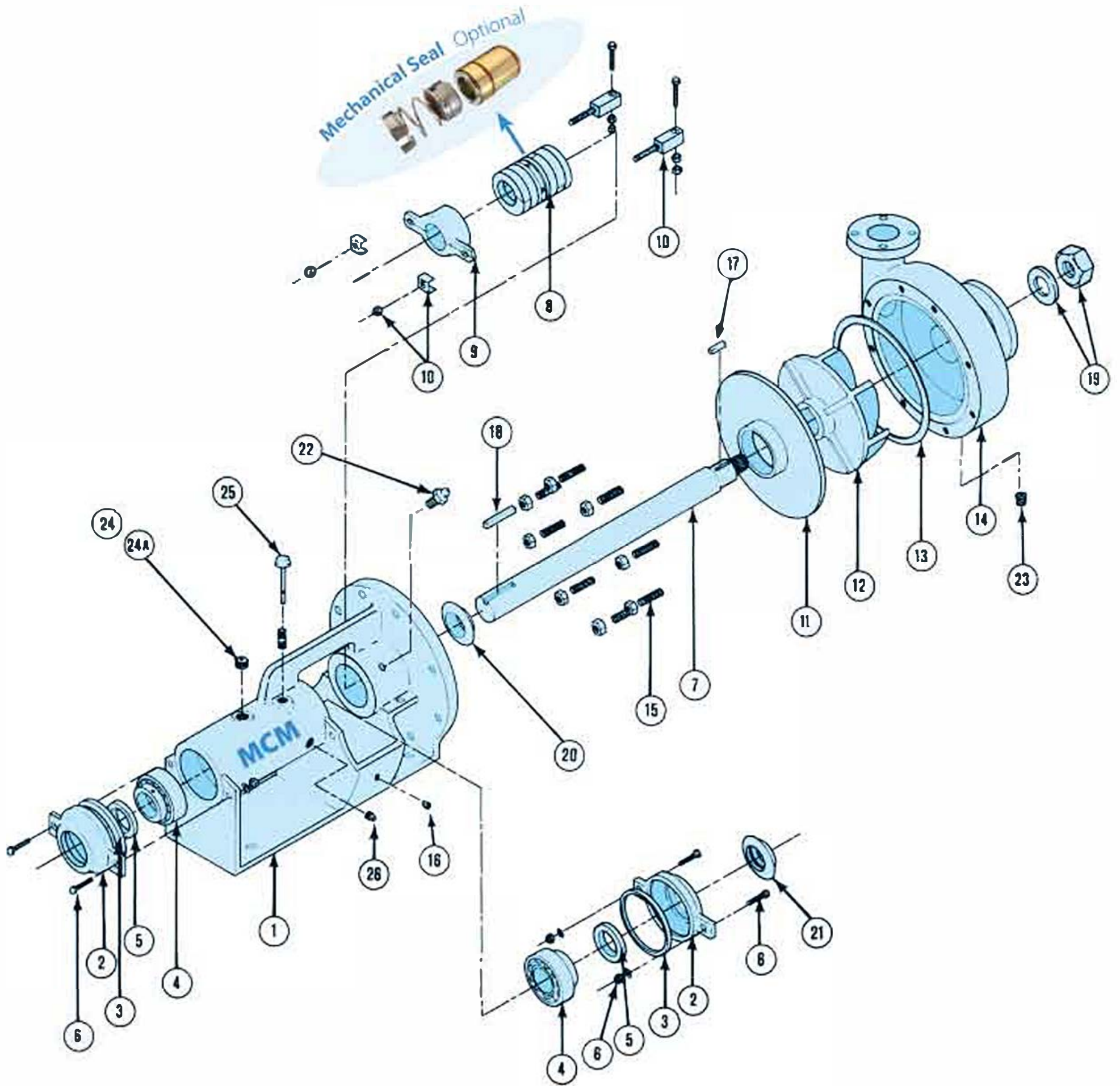


118 SERIES *Parts Diagram*



Pumps ... an Industry Leader!

118 SERIES

118 PUMP SIZES

PUMP SIZE & ROTATION	MAX IMPELLER	MODEL NUMBER		
		CAST IRON	ALUMINUM BRONZE	ALUMINUM BRONZE FITTED
1x1½R	8½"	CP1811CRXXX	CP1811ARXXX	CP1811AFRXXX
1x1½L	8½"	CP1811CLXXX	CP1811ALXXX	CP1811AFLXXX
1½x2R	8½"	CP1812CRXXX	CP1812ARXXX	CP1812AFRXXX
1½x2L	8½"	CP1812CLXXX	CP1812ALXXX	CP1812AFLXXX
2x3R	8½"	CP1823CRXXX	CP1823ARXXX	CP1823AFRXXX
2x3L	8½"	CP1823CLXXX	CP1823ALXXX	CP1823AFLXXX
3x4R	8½"	CP1834CRXXX	CP1834ARXXX	CP1834AFRXXX

*NOTE: 118 Series Pumps available in stainless steel on request.
Add IMS for pumps with Mechanical Seals.*

118 PUMP PARTS LIST

Item No.	Part No.	Description	Qty. Req'd.	Approx. Wt.
1	P18PED	118 Pedestal	1	87.00
2	P18BC	118 Bearing Cap	2	2.50
3	P18BCG	118 Bearing Cap Gasket	2	.05
4	P18BA	118 Bearing Assembly	2	1.50
5	P18OGS	118 Oil & Grease Seal	2	.15
6	P18BCBA	118 Bearing Cap Bolt Assembly	4	.15
7	*	118 Shaft Assembly	1	6.00
8	*	118 Packing Assembly / Mechanical Seal	1	.50
9	P18PG	118 Packing Gland	1	1.50
10	P18GABA	118 Gland Adjustment Bolt Assembly	2	.50
11	*	118 Wear Plate	1	6.50
12	*	118 Impeller	1	*
13	P18HG	118 Housing Gasket	1	.10
14	*	118 Housing Assembly	1	*
15	P18HSN	118 Housing Stud W/ Nut	8	.25
16	P18DBDP	118 Drip Bowl Drain Plug	1	.25
17	P18IK3S	118 Impeller Key	1	.10
18	P18CK4S	118 Coupling Key	1	.25
19	P18LNA	118 Shaft Lock Nut Assembly	1	.25
20	P18SRO	118 Slinger Ring - Oil	1	.25
21	P18SRW	118 Slinger Ring - Water	1	.25
22	P18ZGF	118 Zert Grease Fitting	1	.10
23	P18HDP	118 Housing Drain Plug	1	.10
24	P18FBC	118 Filler Breather Cap	1	.25
24A	P18OVV	118 Oil Vent Valve	1	.05
25	P18DS	118 Dip Stick	1	.50
26	P18ODP	118 Oil Drain Plug	1	.05

*See Options

118 SERIES

Cast Iron or Aluminum Bronze PARTS OPTIONS

Item No.	Part No.	Description	Approx. Wt.
*7	P18SH316SS	118 Plain 316-SS Shaft Assembly	6.00
	P18SH416SS	118 Plain 416-SS Shaft Assembly	6.00
	P18SH416SC	118 416-SS Ceramic Coated Shaft Assembly	6.00
*8	P18PMSG	118 Graphite Packing Assembly	.50
	P18PMSK	118 King Packing Assembly	.50
	P18PMST	118 Teflon Packing Assembly	.50
	P18MSXX	118 Mechanical Seal	2.00
*11	P18WPC	118 Cast Iron Wear Plate	6.50
	P18WPA	118 Aluminum Bronze Wear Plate	6.50
*12	P18C11MRXXX	118 1x1½ Cast Iron Right Hand Impeller	7.50
	P18C11MLXXX	118 1 x 1½ Cast Iron Left Hand Impeller	7.50
	P18C12MRXXX	118 1½ x 2 Cast Iron Right Hand Impeller	8.00
	P18C12MLXXX	118 1½ x 2 Cast Iron Left Hand Impeller	8.00
	P18A12MRXXX	118 1½ x 2 Aluminum Bronze Right Hand Impeller	8.00
	P18A12MLXXX	118 1½ x 2 Aluminum Bronze Left Hand Impeller	8.00
	P18C23MRXXX	118 2 x 3 Cast Iron Right Hand Impeller	8.50
	P18C23MLXXX	118 2 x 3 Cast Iron Left Hand Impeller	8.50
	P18A23MRXXX	118 2 x 3 Aluminum Bronze Right Hand Impeller	8.50
	P18A23MLXXX	118 2 x 3 Aluminum Bronze Left Hand Impeller	8.50
	P18C34MRXXX	118 3 x 4 Cast Iron Right Hand Impeller	10.00
	P18A34MRXXX	118 3 x 4 Aluminum Bronze Right Hand Impeller	10.00
*14	P18C11HR	118 1 x 1½ Cast Iron Right Hand Housing Assembly	42.00
	P18C11HL	118 1 x 1½ Cast Iron Left Hand Housing Assembly	42.00
	P18C12HR	118 1½ x 2 Cast Iron Right Hand Housing Assembly	44.00
	P18C12HL	118 1½ x 2 Cast Iron Left Hand Housing Assembly	44.00
	P18A12HR	118 1½ x 2 Aluminum Bronze Right Hand Housing Assembly	44.00
	P18A12HL	118 1½ x 2 Aluminum Bronze Left Hand Housing Assembly	44.00
	P18C23HR	118 2 x 3 Cast Iron Right Hand Housing Assembly	54.00
	P18C23HL	118 2 x 3 Cast Iron Left Hand Housing Assembly	54.00
	P18A23HR	118 2 x 3 Aluminum Bronze Right Hand Housing Assembly	56.00
	P18A23HL	118 2 x 3 Aluminum Bronze Left Hand Housing Assembly	56.00
	P18C34HR	118 3 x 4 Cast Iron Right Hand Housing Assembly	72.00
	P18A34HR	118 3 x 4 Aluminum Bronze Right Hand Housing Assembly	72.00

Look and Compare...

We are your best Choice !!!

118 Centrifugal Pump Features

MCM Pedestal

MCM's Beefed-Up frame design is stronger and more rigid in all wear areas. It gives a larger work area to facilitate packing the pump, which cuts repacking time.

It also has a large pollution bowl for holding any fluid leakage and making a cleaner, safer operation.



MCM Housing

MCM's concentric housing design is available in right hand or left hand

operation. It reduces turbulence within the pump to minimize cavitation, shaft deflection, and excessive wear. This results in a smoother operating and a longer running pump.



MCM Impeller

MCM's semi open impeller is designed to handle water or heavy slurries with equal efficiency. The pronounced back vanes of the impeller are designed to reduce the pressure on the stuffing box, thus, increasing the life of the packing and decreasing the wear on the shaft.



MCM Wear Plate

MCM's replaceable wear plate protects the pedestal from wear and corrosion caused by fluids being pumped, therefore, extending the life of the pump.



MCM Bearings

MCM's *Heavy-Duty* bearings are well protected by spring type oil seals and a water slinger designed to keep fluid and dirt out of the bearing cavity. Eccentric locks are used so the shaft can be easily removed without special tools. This makes for easy adjustment of impeller clearance.

MCM Mechanical Seal (Optional)

MCM takes pride in carrying one of the finest mechanical seals on the market.



MCM Graphite Packing

MCM Graphite consists of five graphite rings and one lantern ring.



MCM Shaft

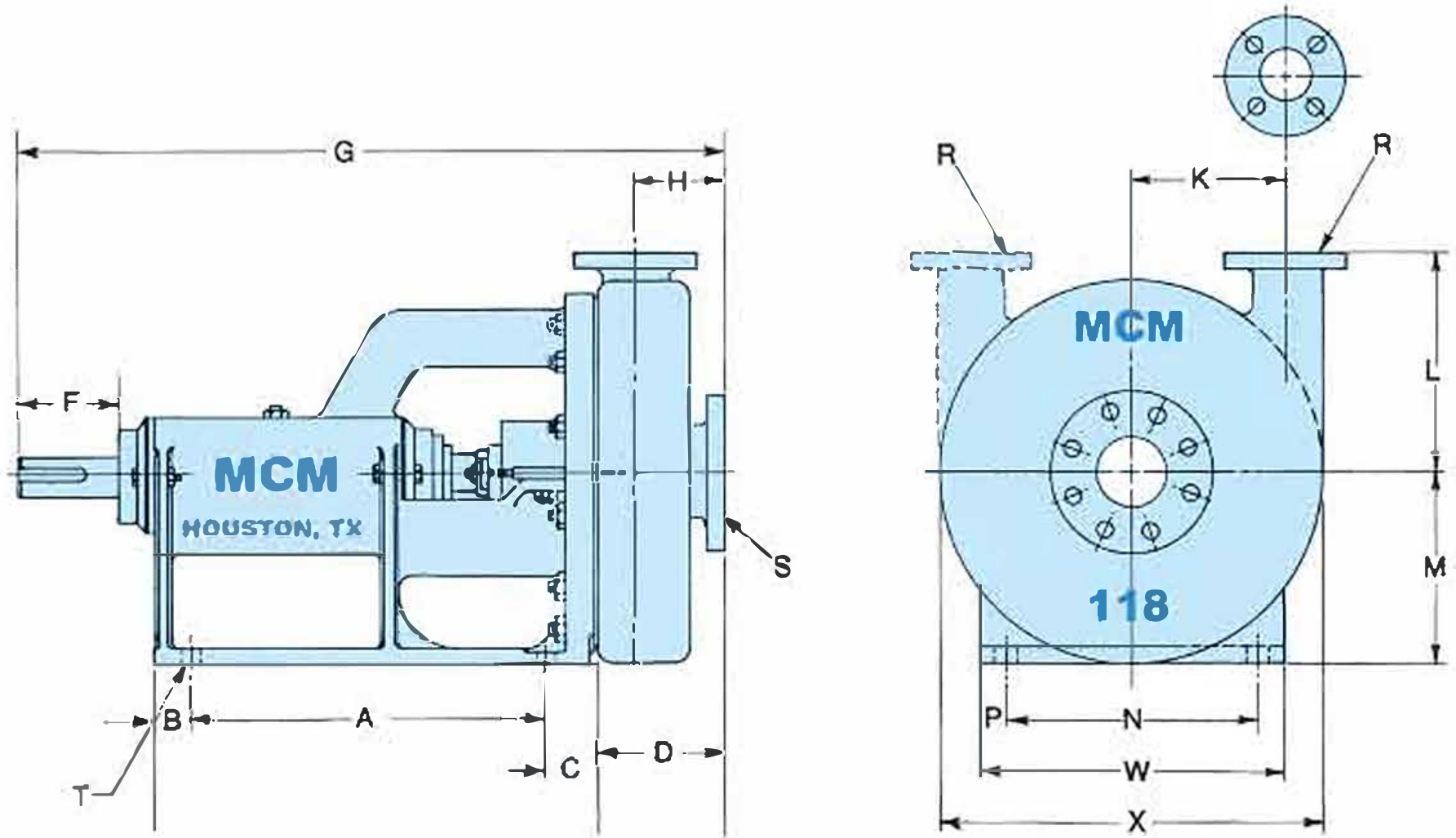
The MCM 118 shaft is manufactured from the highest quality 416 stainless steel. Designed to transmit maximum torque with minimum shaft deflection.



**ISO
9001:2000
CERTIFIED**

118 SERIES

Dimensional Outline



PEDESTAL, HOUSING, & INSTALLATION DIMENSIONS

PUMP SIZE	A	B	C	D	F	G	H	K	L	M	N	P	R	S	T	W	X
1x1½ R & L	13	1 ⁷ / ₁₆	2 ³ / ₈	4 ¹ / ₂	3 ⁵ / ₁₆	26 ¹ / ₄	3 ¹ / ₈	4 ⁷ / ₈	7 ¹ / ₂	7	4 ¹ / ₄	7 ⁷ / ₈	1	1 ¹ / ₂	(4)- ¹ / ₁₆	6	12
1½x2 R & L	13	1 ⁷ / ₁₆	2 ³ / ₈	5	3 ⁵ / ₁₆	26 ³ / ₄	3 ¹ / ₂	4 ⁵ / ₈	7 ¹¹ / ₁₆	7	4 ¹ / ₄	7 ⁷ / ₈	1 ¹ / ₂	2	(4)- ¹ / ₁₆	6	12
2x3 R & L	13	1 ⁷ / ₁₆	2 ³ / ₈	5 ¹ / ₂	3 ⁵ / ₁₆	27	3 ³ / ₄	5 ¹ / ₂	7 ³ / ₄	7	4 ¹ / ₄	7 ⁷ / ₈	2	3	(4)- ¹ / ₁₆	6	12
3x4 R	13	1 ⁷ / ₁₆	2 ³ / ₈	6 ³ / ₈	3 ⁵ / ₁₆	28 ¹ / ₂	4 ¹ / ₄	5	8	7	4 ¹ / ₄	7 ⁷ / ₈	3	4	(4)- ¹ / ₁₆	6	12 ³ / ₄

FLANGE SIZES

Pump Size	Pump Type (Shaft Dia.)	Discharge Pipe		Suction Pipe	
		Size	Drilling	Size	Drilling
1 x 1½	1 ¹ / ₈	1	4 Holes ⁵ / ₈ Dia. 3 ¹ / ₈ B.C.	1 ¹ / ₂	4 Holes ⁵ / ₈ Dia. 3 ³ / ₈ B.C.
1½ x 2	1 ¹ / ₈	1 ¹ / ₂	4 Holes ⁵ / ₈ Dia. 3 ³ / ₈ B.C.	2	4 Holes ³ / ₄ Dia. 4 ³ / ₈ B.C.
2 x 3	1 ¹ / ₈	2	4 Holes ³ / ₄ Dia. 4 ³ / ₈ B.C.	3	4 Holes ³ / ₄ Dia. 6 B.C.
3 x 4	1 ¹ / ₈	3	4 Holes ³ / ₄ Dia. 6 B.C.	4	8 Holes ³ / ₄ Dia. 7 ¹ / ₂ B.C.